

# No-Slack® NT/6000/7000/7000CC

## No-Slack® Top Plate Kits

### Repair

Repair kit (KIT-RPR-6000L or R)		
Item	Description	Qty.
⑥	Bumper spring	1
⑦	Handle spring	1
⑰	Timer spring	1
⑳	Step jaw	1
㉑	Wedge	1
⑩	Bushing, 7/16"	1
⑮	Bushing, 5/16"	1
⑲	Bushing, 1 1/4"	1
⑫	Hex lock nut, 1/2" - 13	3

Spring kit (KIT-SPRING)*		
⑥	Bumper spring	1
⑦	Handle spring	1
⑰	Timer spring	1

Wedge-stop rod kit (KIT-ROD-1108)*		
①	Wedge-stop rod nut	1
②	Flat washer, 5/8" I.D.	2
③	Wedge-stop rod spring	1
④	Wedge-stop rod	1
⑤	Cotter pin, 3/16" x 1"	1

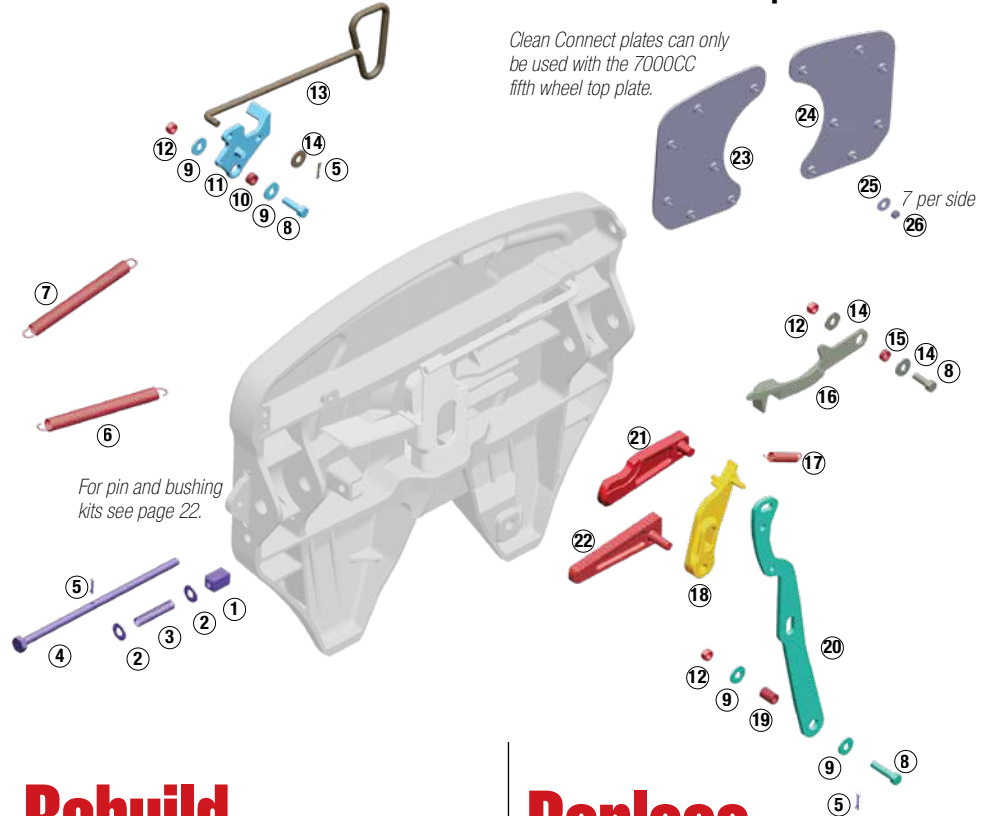
Secondary lock kit (KIT-LAT-6000L)		
⑦	Handle spring	1
⑧	Hex head bolt, 1/2" - 13	1
⑨	Flat washer, 1/2" I.D.	2
⑩	Bushing, 7/16"	1
⑪	Secondary lock	1
⑫	Hex lock nut, 1/2" - 13	1
⑤	Cotter pin, 3/16" x 1"	1

Pull handle kit (KIT-PUL-6000L or R)		
⑬	Pull handle	1
⑭	Flat washer, 1/2" I.D.	1
⑤	Cotter pin, 3/16" x 1"	1

Bumper kit (KIT-BPR-6000L)		
⑫	Hex lock nut, 1/2" - 13	1
⑭	Flat washer, 1/2" I.D.	2
⑮	Bushing	1
⑧	Hex head bolt, 1/2" - 13	1
⑯	Bumper	1
⑥	Bumper spring	1

Timer kit (KIT-TMR-6000L)		
⑰	Timer spring	1
⑱	Timer	1
⑫	Hex lock nut, 1/2" - 13	1
⑤	Hair pin cotter	1

Operating handle kit (KIT-OPR-6000)*		
⑩	Bushing, 7/16"	1
⑮	Bushing, 5/16"	1
⑲	Bushing, 1 1/4"	1
⑫	Hex lock nut, 1/2" - 13	3
⑨	Flat washer, 1/2" I.D.	2
⑧	Hex head bolt, 1/2" - 13	1
⑳	Operating handle	1
⑤	Hair pin cotter	1



### Rebuild

#### Part number: KIT-RX-67NTL

Major rebuild kit for left side (driver) handle release NT/6000/7000/7000CC.

Kit does not include bracket pins, bushings or Clean Connect plate kits.



#### Part number: KIT-RX-67NTR

Major rebuild kit for right side (passenger) handle release NT/6000/7000/7000CC.

Kit does not include bracket pins, bushings or Clean Connect plate kits.



#### 7000CC Options

Clean Connect plate kits (7000CC)		
Item	Description	Qty.
<b>(CCR-PLATES-R)</b>		
⑳	Right CC plate	1
㉑	Flat washer	7
㉒	Hex lock nut	7
<b>(CCR-PLATES-L)</b>		
㉑	Left CC plate	1
㉑	Flat washer	7
㉒	Hex lock nut	7

### Replace

Replace or upgrade your fifth wheel top plate.



**SLTPL7000** (Driver side)  
**AATPL7000** (Air Actuated)

**No-Slack® 7000 Cast**

Rated for moderate duty on both on-highway and off-highway applications



**SLTPL6000** (Driver side)  
**AATPL6000** (Air Actuated)

**No-Slack® 6000 Stamped Steel**

Rated for standard to moderate duty on-highway



**SLTPL7000CC** (Driver side)  
**AATPL7000CC** (Air Actuated)

**No-Slack® 7000CC Clean Connect Cast**

Rated for moderate duty for on-highway applications



**SLTPLUNT** (Driver side)

**No-Slack® NT Stamped Steel**

Rated for standard to moderate duty on-highway

SLTPLUNT replaces NT and 3000 models only.

For pin and bushing kits see pages 22.

\*Works for driver and passenger side models.

# No-Slack® NT/6000/7000/7000CC

## No-Slack® Top Plate Kits

# Repair


### Repair kit (Driver side: **KIT-RPR-6000L**, Passenger side: **KIT-RPR-6000R**)

	<b>Item</b>	<b>Qty.</b>
	Bumper spring	1
	Handle spring	1
	Timer spring	1
	Step jaw	1
	Wedge	1
	Bushing, 7/16"	1
	Bushing, 5/16"	1
	Bushing, 1 1/4"	1
	Hex lock nut, 1/2" - 13	3

### Secondary lock kit (**KIT-LAT-6000L**)

	<b>Item</b>	<b>Qty.</b>
	Handle spring	1
	Hex head bolt, 1/2" - 13	1
	Flat washer, 1/2" I.D.	2
	Bushing, 7/16"	1
	Secondary lock	1
	Hex lock nut, 1/2" - 13	1
	Cotter pin, 3/16" x 1"	1

### Pull handle kit (Driver side: **KIT-PUL-6000L**, Passenger side: **KIT-RPR-6000R**)

	<b>Item</b>	<b>Qty.</b>
	Pull handle	1
	Flat washer, 1/2" I.D.	1
	Cotter pin, 3/16" x 1"	1

For H7 pull handle see page 8.

### Timer kit (**KIT-TMR-6000L**)

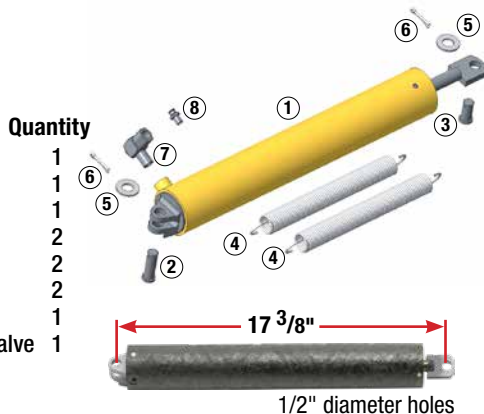
	<b>Item</b>	<b>Qty.</b>
	Timer spring	1
	Timer	1
	Hex lock nut, 1/2" - 13	1
	Hair pin cotter	1

### Air actuated kit

Part number:  
**KIT-AA-6000L**

#### Description

<b>Quantity</b>	
1	① Air Cylinder
1	② Clevis Pin Long
1	③ Clevis Pin Short
2	④ Springs
2	⑤ Flat Washer 1/2"
2	⑥ Cotter Pin 5/32"
1	⑦ Exhaust Valve
1	⑧ Quick Disconnect Valve



1/2" diameter holes

### Wedge-stop rod kit (**KIT-ROD-1108**)

	<b>Item</b>	<b>Qty.</b>
	Wedge-stop rod nut	1
	Flat washer, 5/8" I.D.	2
	Wedge-stop rod spring	1
	Wedge-stop rod	1
	Cotter pin, 3/16" x 1"	1

### Spring kit (**KIT-SPRING**)

	<b>Item</b>	<b>Qty.</b>
	Bumper spring	1
	Handle spring	1
	Timer spring	1

### Bumper kit (**KIT-BPR-6000L**)

	<b>Item</b>	<b>Qty.</b>
	Hex lock nut, 1/2" - 13	1
	Flat washer, 1/2" I.D.	2
	Bushing	1
	Hex head bolt, 1/2" - 13	1
	Bumper	1
	Bumper spring	1

### Operating handle kit (**KIT-OPR-6000**)

	<b>Item</b>	<b>Qty.</b>
	Bushing, 7/16"	1
	Bushing, 5/16"	1
	Bushing, 1 1/4"	1
	Hex lock nut, 1/2" - 13	3
	Flat washer, 1/2" I.D.	2
	Hex head bolt, 1/2" - 13	1
	Operating handle	1
	Hair pin cotter	1

For H7 operating handle see page 8.

Part number:

**KITKPT**

*Test kingpin is an excellent tool for jaw and wedge adjustment (see page 26).*



*After a rebuild don't forget to properly adjust your fifth wheel. See page 26.*

**FONTAINE**  
FIFTH WHEEL®