

PML plate mount

PML mounts

Part #	Mounted height
ASYPML6250	6-1/4"
ASYPML7250	7-1/4"
ASYPML8250	8-1/4"
ASYPML9250	9-1/4"
ASYPML10250 . . .	10-1/4"

Compatible Plates

SLTPL6000
SLTPL7000
SLTPL7000CC

Repair kits for PML

Pins, bushings and bracket liners . . . KIT-PIN-LLB
Bushings BSH-LLB



APB plate mount

APB mounts

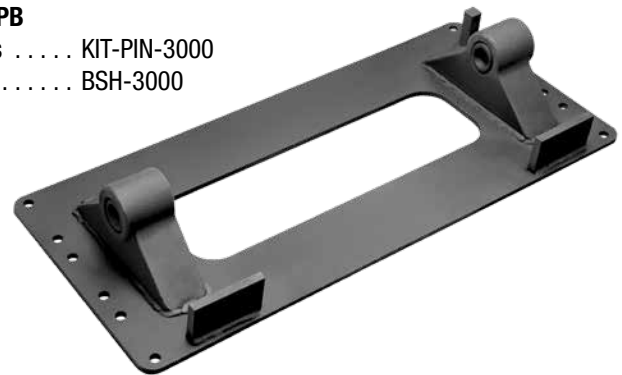
Part #	Mounted height
ASYAPB6250	6-1/4"
ASYAPB7250	7-1/4"
ASYAPB8250	8-1/4"

Compatible Plates

SLTPLNT

Repair Kits for APB

Pins and bushings KIT-PIN-3000
Bushings BSH-3000



PS5 plate mount

Mounting brackets

Part #	Mounted height
BKTPLT7125	7-1/4"
BKTPLT8125	8-1/4"
BKTPLT9125	9-1/4"
BKTPLT10125 . . .	10-1/4"
BKTPLT11125 . . .	11-1/4"

Compatible Plates

SLTPL6000
SLTPL7000
SLTPL7000CC
SLTPLH5092
SLTPLX5092
SLTPLH7

Repair kits for PS5

Pins and bushings KIT-PIN-191
Bushings BSH-150

Note: To order, specify a mounting plate and mounting brackets. Both are required.



Mount	Description	Width x length	Holes per side	Hole spacing across frame	First hole measured from rear, then spacing between holes
PLT PS5	Plate short	40.00" x 23.75"	5 (for 5/8" hardware)	38"	1.88", 6.00" - 4.00" - 4.00" - 6.00"

Outboard Mounting Angles

Mounting angles 3/8" x 3" x 4" (ATB, AWB, LWB, NWB, PML, LW0, PS5)

Part Number	Inches/ Millimeters	Angle Length	Weight	Truck Frame Width
ANGP55B175	Up to 24" (610mm)	55" (1,397mm)	78 lbs (35kg)	33.25" (845mm) to 34.25" (870mm)

ANGP - indicates the angle can be cut to fit an appropriate side rail length. 55" overall width=24" slide rail length. 47" overall length =16" side rail length, and 43" overall length=12" side rail length.